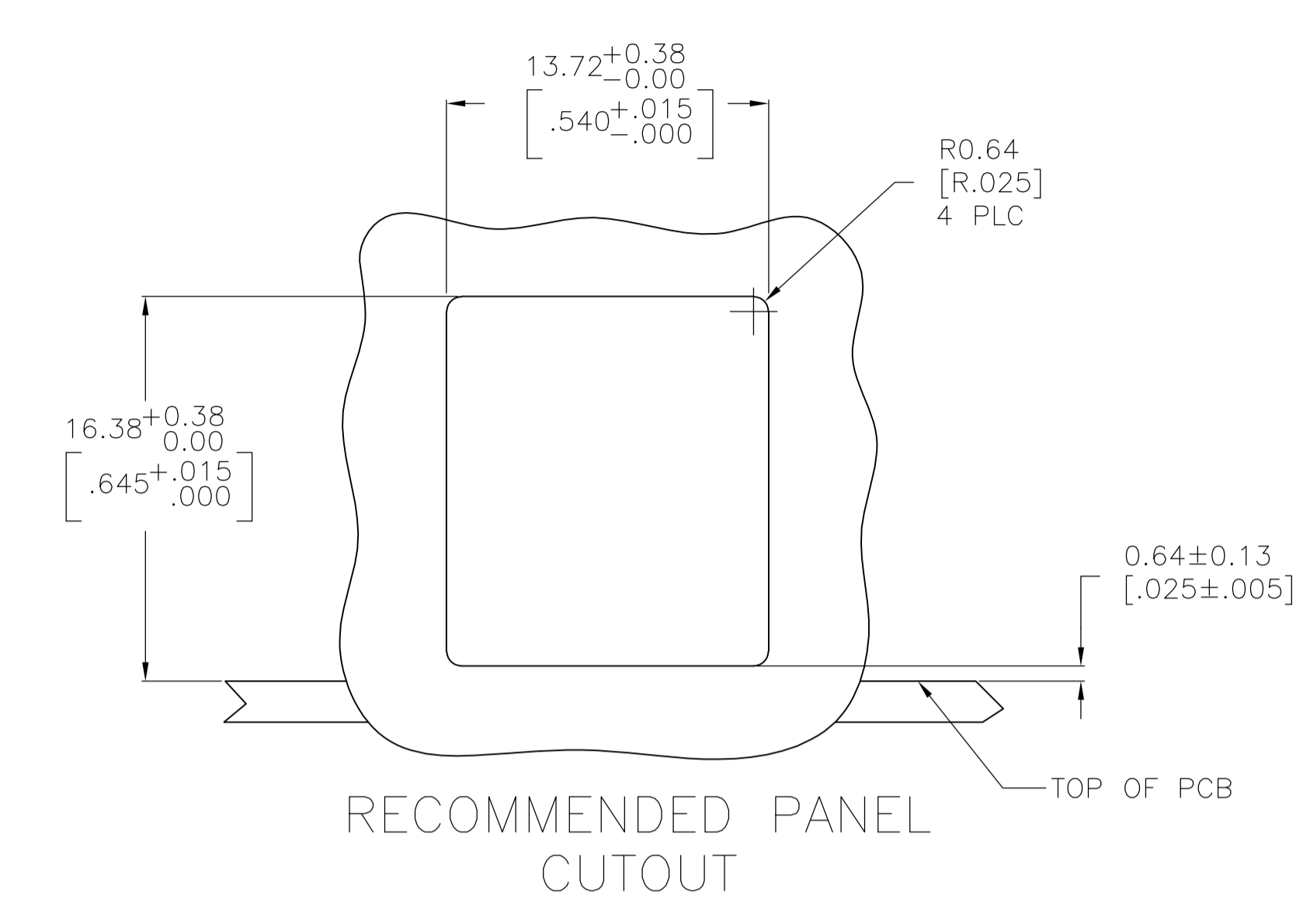
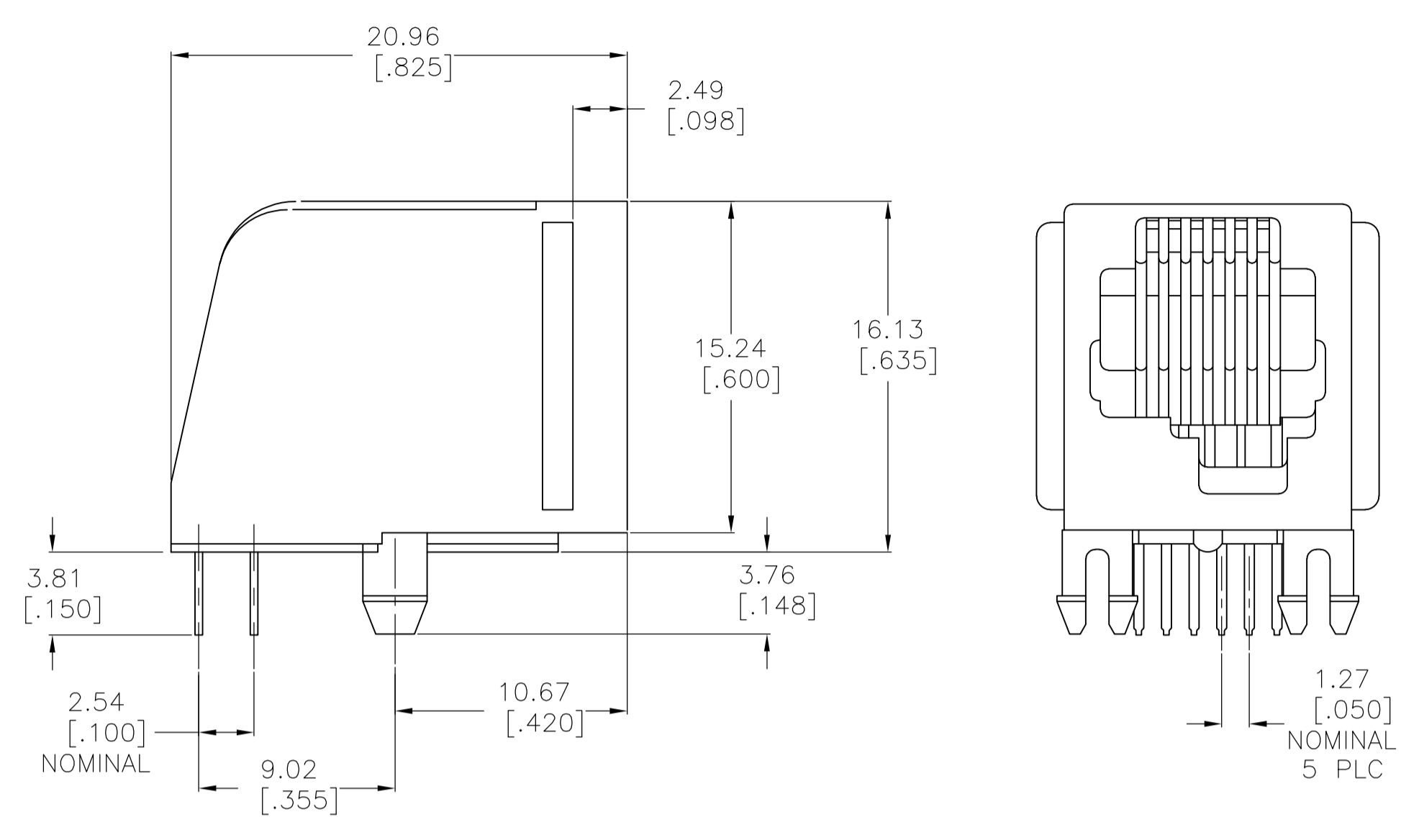
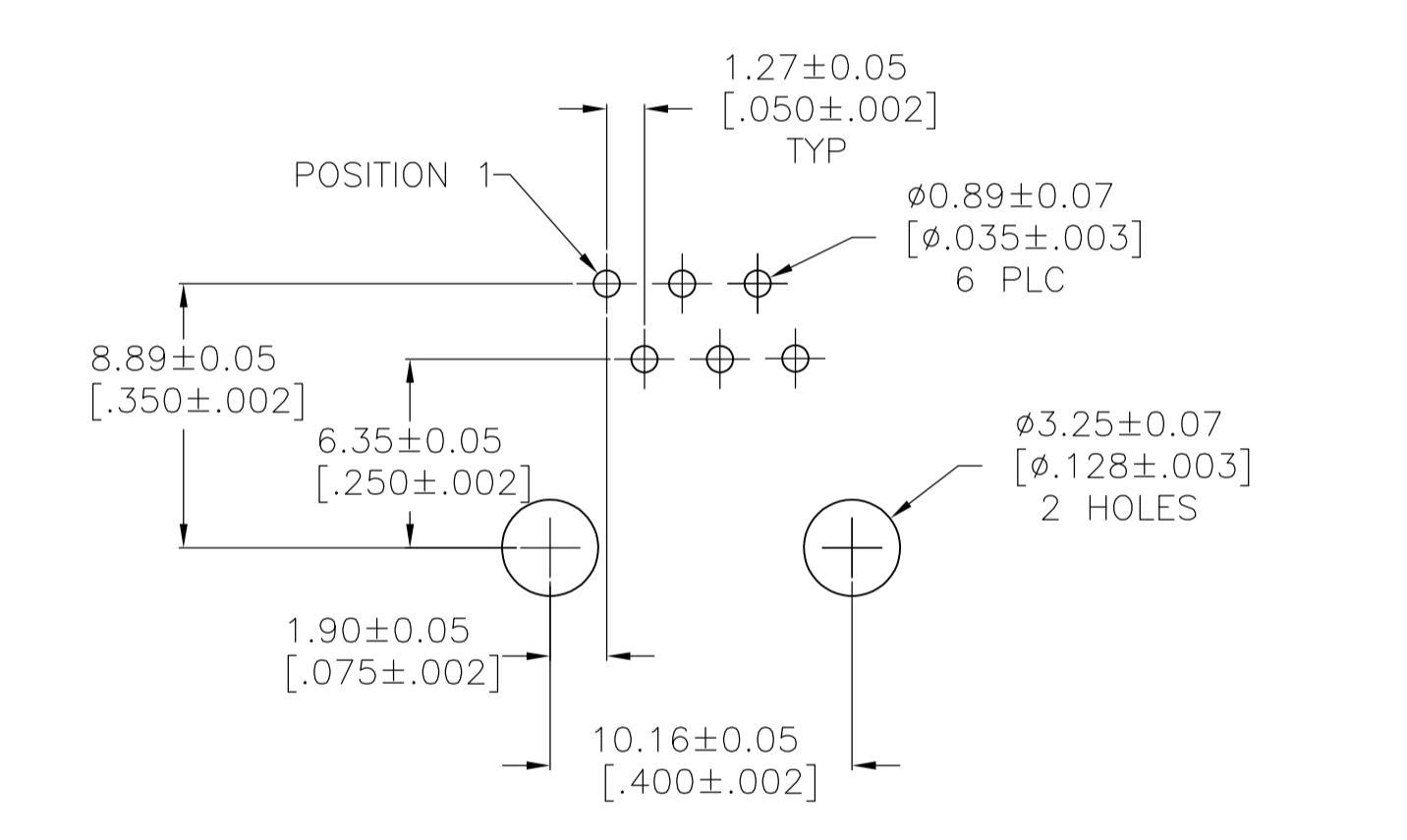
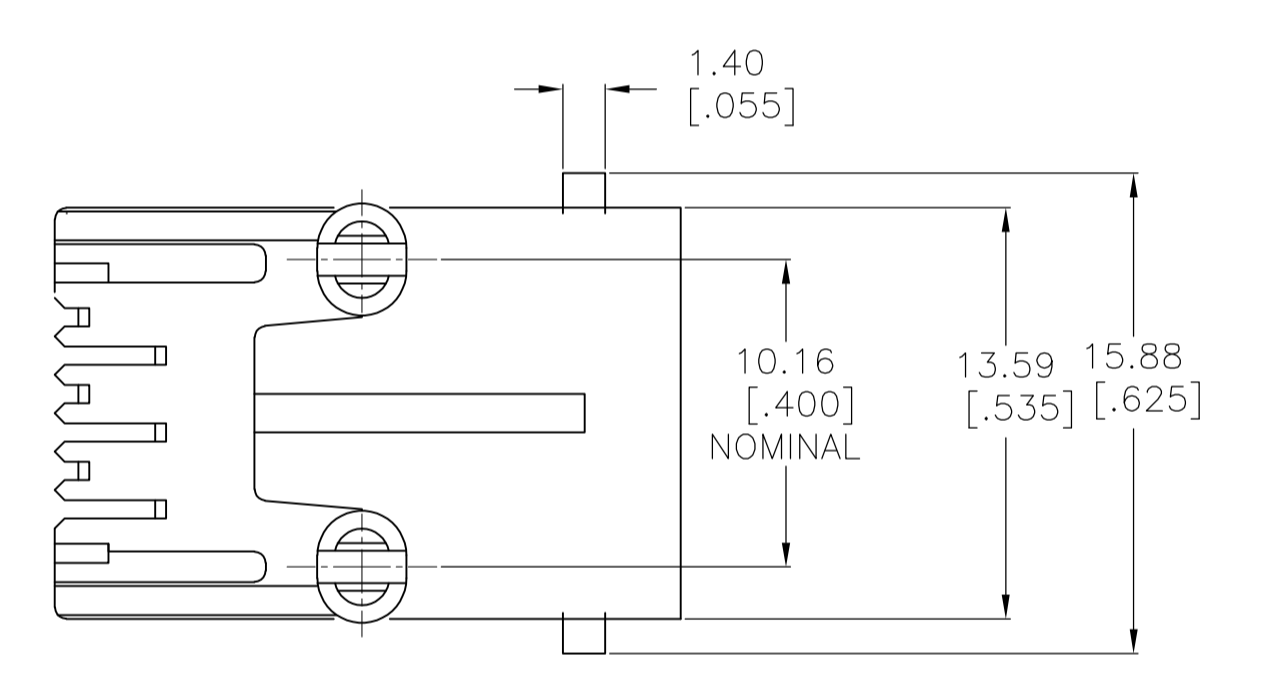


| LOC | | DIST | | REVISIONS | | | |
|-----|-----|---------------|-----------|-----------|------|--|--|
| P | LTR | DESCRIPTION | DATE | DNW | APVD | | |
| C | | ECC-08-006985 | 25JUN2008 | LAM | PR | | |



1. MATERIAL: HOUSING - PBT POLYESTER, COLOR: GRAY
 TERMINAL -- 0.35 [0.0138] THICK PHOS BRONZE
 PLATED WITH 1.27 μm [0.000050] THICK HARD GOLD
 IN LOCALIZED GOLD PLATE AREA AND 3.81 μm [0.000150]
 THICK MATTE TIN IN SOLDER AREA OVER 1.27 μm
 [0.000050] THICK NICKEL UNDERPLATE
2. BULK PACKAGED IN A TRAY.
3. PACKAGED 36 ASSEMBLIES PER TUBE WITH BOTH ENDS ENCLOSED
4. DIMENSIONS ARE MAXIMUM UNLESS OTHERWISE SHOWN



RECOMMENDED PRINTED CIRCUIT BOARD LAYOUT COMPONENT SIDE SHOWN

| | | | |
|------------------|-----------|-------------|-----------|
| SUPERSEDED BY -1 | 3 | 6 | 5555003-2 |
| | 2 | 6 | 5555003-1 |
| PACKAGED | TERMINALS | PART NUMBER | |

| | | | | | |
|--|--|--|-----------|------------------------------|--|
| THIS DRAWING IS A CONTROLLED DOCUMENT. | | DIN | 30AUG2007 | Tyco Electronics Corporation | |
| | | LA MAYER | 30AUG2007 | Harrisburg, PA 17105-3608 | |
| | | P RECCE | 30AUG2007 | Tyco Electronics | |
| | | S FLICKINGER | 30AUG2007 | NAME | |
| | | MODULAR JACK ASSEMBLY, SIDE ENTRY, WITH RIGHT HAND LATCHES, 6 POSITION, FLANGELESS, WITH PANEL STOPS | | | |
| DIMENSIONS: mm [INCHES] | | TOLERANCES UNLESS OTHERWISE SPECIFIED: | | PRODUCT SPEC | |
| | | 0 PLC ± - | | 108-1163 | |
| | | 1 PLC ± - | | APPLICATION SPEC | |
| | | 2 PLC ± 0.13[005] | | 114-2048 | |
| | | 3 PLC ± - | | SIZE | |
| | | 4 PLC ± - | | A1 | |
| | | ANGLES ± - | | SCALE 4:1 | |
| MATERIAL SEE NOTE 1 | | FINISH SEE NOTE 1 | | WEIGHT | |
| | | | | CUSTOMER DRAWING | |
| | | | | SHEET 1 OF 1 | |
| | | | | REV C | |